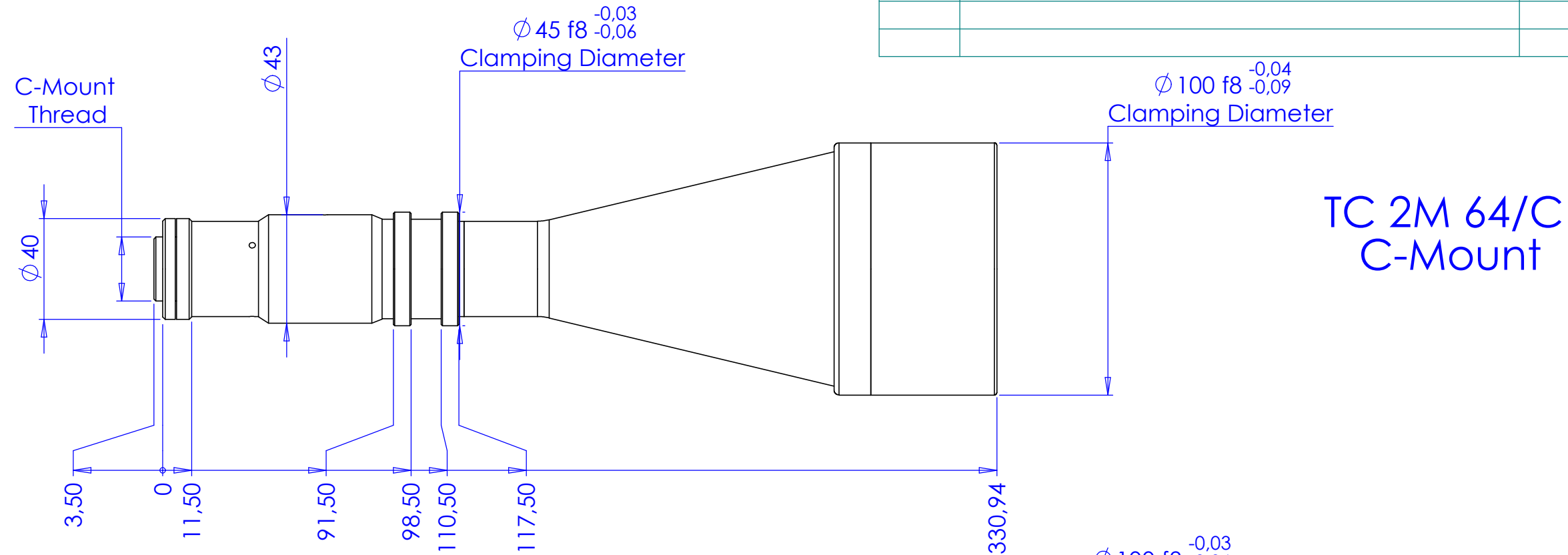
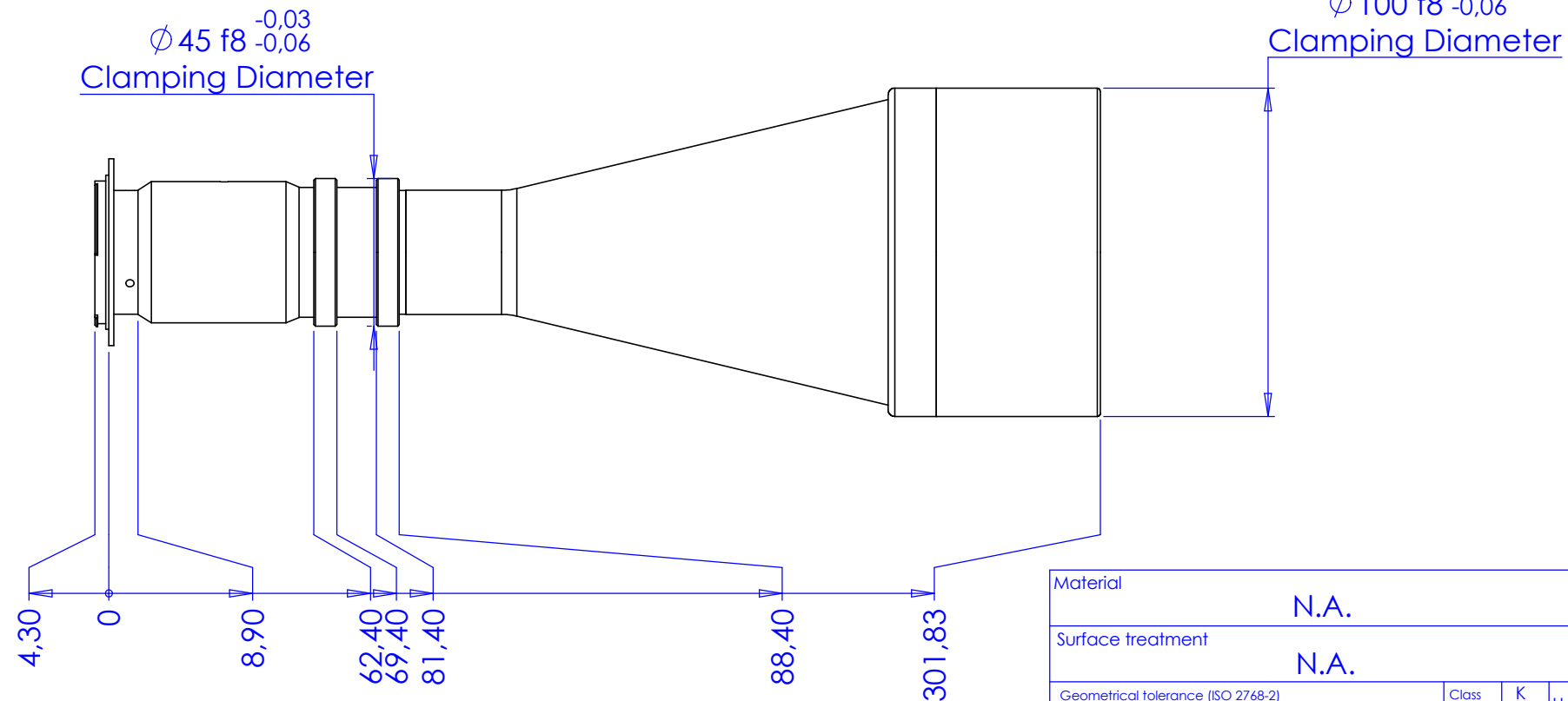


Rev No.	Description	Date	Name
A	New Part	05/05/2003	A.Vismara



TC 2M 64/C  
C-Mount



TC 2M 64/F  
F-Mount

Material	N.A.		Mass	1026 g	Scale	1:2																								
Surface treatment	N.A.		Project-Prod.item/Instrument TC 2M 64																											
Geometrical tolerance (ISO 2768-2) Linear tolerance (ISO 2768-2)			Class Class K m		Undimensioned bevels 0.5x45° Undimensioned radii R 0.5																									
<table border="1"> <tr> <td>0.5</td> <td>&gt;3±</td> <td>&gt;6±</td> <td>&gt;30±</td> <td>&gt;120</td> <td>&gt;400±</td> <td>&gt;1000</td> <td>&gt;2000</td> </tr> <tr> <td>±3</td> <td>6</td> <td>30</td> <td>120</td> <td>±400</td> <td>±1000</td> <td>±2000</td> <td>±4000</td> </tr> <tr> <td>±0.1</td> <td>±0.1</td> <td>±0.2</td> <td>±0.3</td> <td>±0.5</td> <td>±0.8</td> <td>±1.2</td> <td>±2</td> </tr> </table>			0.5	>3±	>6±	>30±	>120	>400±	>1000	>2000	±3	6	30	120	±400	±1000	±2000	±4000	±0.1	±0.1	±0.2	±0.3	±0.5	±0.8	±1.2	±2	Description		Layout	
0.5	>3±	>6±	>30±	>120	>400±	>1000	>2000																							
±3	6	30	120	±400	±1000	±2000	±4000																							
±0.1	±0.1	±0.2	±0.3	±0.5	±0.8	±1.2	±2																							
			Date	Name	Drawing No.	Sheet																								
Designed 17/07/2006 Draw 17/07/2006 Checked X			A.Vismara A.Vismara C. Sedazzari		21587-0-A	1/1																								
OPTO ENGINEERING S.R.L. - 46100 Mantova Italy - Via Cremona, 29/2 - Tel. +39 0376 263525 - e-mai: info@opto-engineering.com - http://www.opto-engineering.com							Reproduction forbidden without specific authorization																							